

SKI MAN

high tech ski & snowboard tuning tools



1975 - 2015

40
years



SKI MAN

high tech ski & snowboard tuning tools

research design

made
with
**HIGH
TECH**



Born in 1975, the SKI MAN trade-mark has become internationally known thanks to his high-tech and high-quality products for ski and snowboard hand tuning.

Our relationship with customers is not only based on business but on steady teamwork, which has brought us, in the course of years, to improve and widen our range of items. Testing by World Cup ski-men is an excellent chance to evaluate the effectiveness of our work. Items in this catalogue are for professionals or amateurs who want to prepare materials by themselves in order to improve their performances steadily. Quality has been and will always be the main aim of our factory.



technology quality

new

fast
professional
ergonomic
precise
easy



7001N

BRAVO SHARP

Electric side edge sharpener for fast and professional sharpening of side edges.

Thanks to its innovative design, side edges can be prepared with considerably less effort than with conventional manual devices, even if side edges are severely damaged.

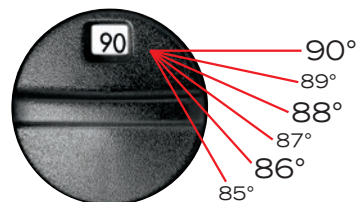
- 220 V (for european market only)
- Weight 1.3 kg



STAINLESS STEEL PLATE



Easy angle setting between 90° and 85°

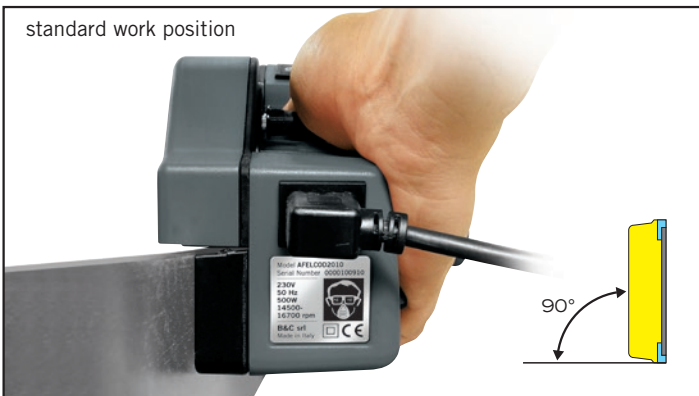
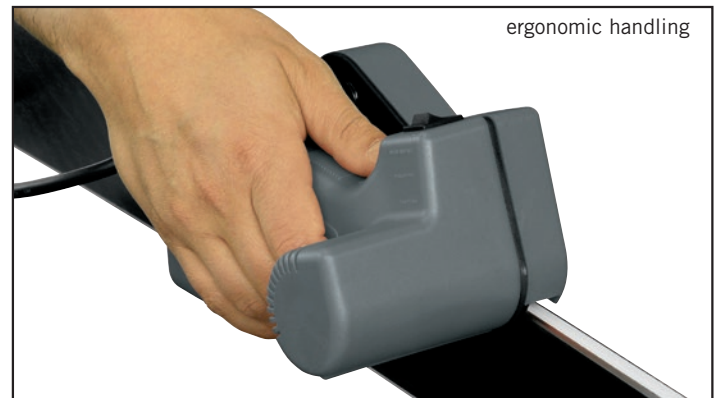




**NEW PACKAGING
(carton box)**

Including:

- protective mask
- 4 COARSE GRINDING BANDS
- 3 FINE GRINDING BANDS



7002
SPARE BANDS COARSE
packaging: 10 pcs



7003
SPARE BANDS FINE
packaging: 10 pcs





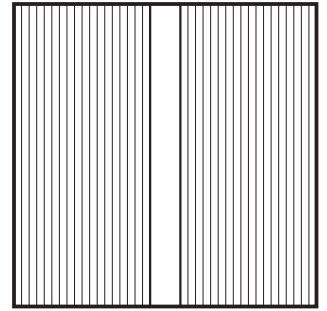
8001

NORDIC SHARP

- Ergonomic structuring tool with interchangeable structure rollers
- Easy handling, steady grip, maximum accuracy
- Best results, minimum effort
- According to the snow conditions, it will increase the glide of the skis
- Delivered with a medium diagonal roller



LINEAR ROLLERS



8002

C LINEAR COARSE 1,5 mm
for warm and wet conditions

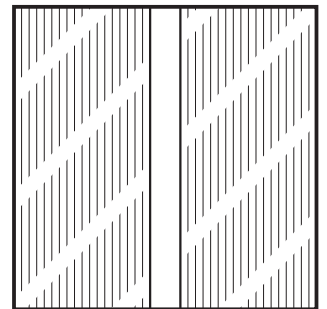
8003

M LINEAR MEDIUM 1,0 mm
for universal conditions

8004

F LINEAR FINE 0,5 mm
for cold conditions

DIAGONAL ROLLERS



8005

C LINEAR COARSE 1,5 mm
for warm and wet conditions

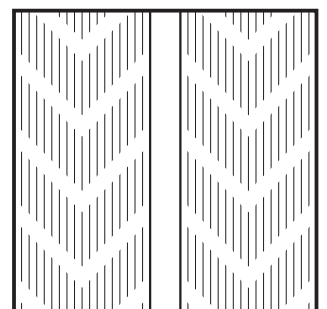
8006

M DIAGONAL MEDIUM 1,0 mm
for universal conditions

8007

F DIAGONAL FINE 0,5 mm
for cold conditions

W ROLLERS



8008

C W COARSE 1,5 mm
for warm and wet conditions

8009

M W MEDIUM 1,0 mm
for universal conditions

8010

F W FINE 0,5 mm
for cold conditions



3007

QUICK SHARP

- Ergonomic side edge sharpener
- Pocket size, «on the slope» use also
- Easy handling, steady grip, maximum accuracy
- Best results, minimum effort
- Right and left hand use
- For ski and snowboard
- Spare file 40 mm **5105**



3008

QUICK SHARP DIAMOND

- Ergonomic side edge sharpener
- Pocket size, «on the slope» use also
- Easy handling, steady grip, maximum accuracy
- Best results, minimum effort
- Right and left hand use
- For ski and snowboard
- Best if use with water or a polishing solution
- Spare diamond **5160**

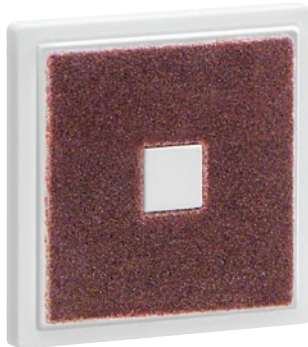




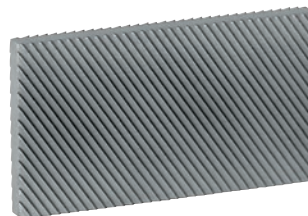
3009

QUICK SHARP KIT

- Ergonomic side edge sharpener
- Pocket size, «on the slope» use also
- Easy handling, steady grip, maximum accuracy
- Best results, minimum effort
- Right and left hand use
- For ski and snowboard



STEP 1 ZIRCONIUM:
to remove rock damaged spots and burrs before using the file.
(Spare part **5140**)



STEP 2 FILE:
to sharp and set up the side edge angle.
(Spare part **5105**)



STEP 3 DIAMOND:
to polish and super finish the ski and snowboard edges.
Best if used with water or with a polishing solution.
(Spare part **5160**)





4006

24 HOURS SHARP

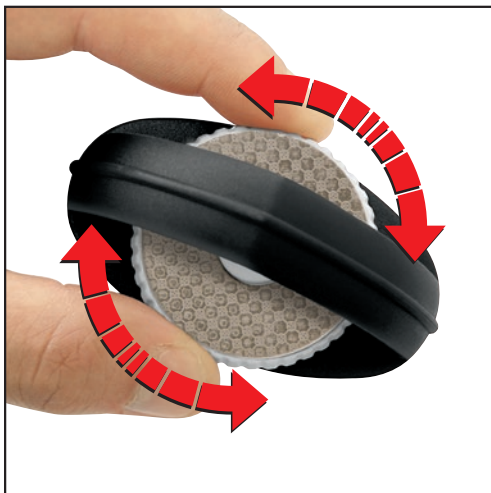
- Ergonomic side edge sharpener
- Pocket size, «on the slope» use also
- Easy handling, steady grip, maximum accuracy
- Best results, minimum effort
- Right and left hand use
- For ski and snowboard



STEP 1 **DIAMOND COARSE:**
to remove rock damaged spots and burrs.
Best if used with water or with a polishing solution.
(Spare part **5170**)



STEP 2 **DIAMOND FINE:**
to polish and super finish the ski and snowboard edges.
Best if used with water or with a polishing solution.
(Spare part **5180**)



4005

COMBI SHARP

- Ergonomic side and base edge sharpener
- Easy handling, steady grip, maximum accuracy
- Best results, minimum effort
- Right and left hand use
- For ski and snowboard

comes with
High Quality
icecut[®]
SWISS MADE
80 mm file

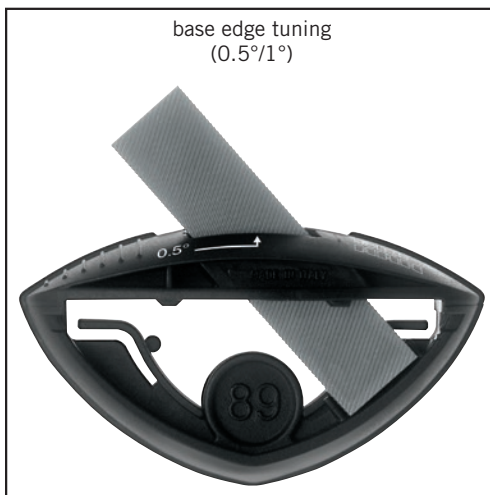
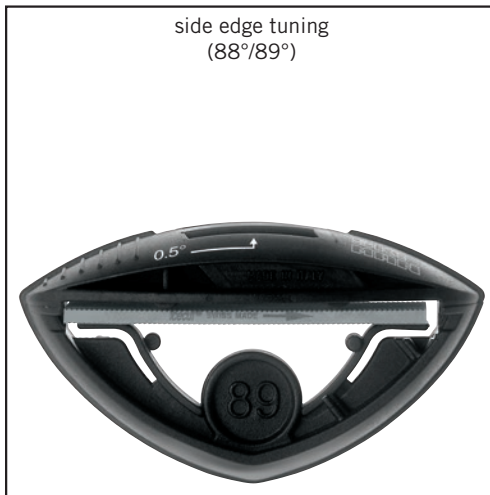
side edge
89°/88°

base edge
0.5°/1°

**SPORT
ACTIVE**

**RACING
TEAM**

**side + base
tuning**





4001N

EASY SHARP (display box - 8 pcs)

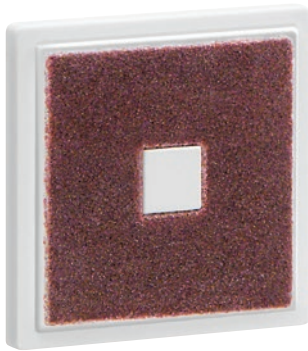
- Ergonomic side edge sharpener
- Pocket size, «on the slope» use also
- Easy handling, steady grip, maximum accuracy
- Best results, minimum effort
- Right and left hand use
- For ski and snowboard

comes with
High Quality
icecut[®]
SWISS MADE
40 mm file

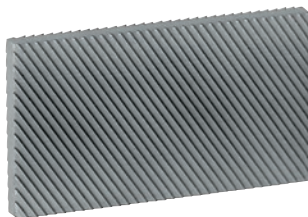
side edge
90°/89°
88°/87°

**SPORT
ACTIVE**

new



STEP 1 ZIRCONIUM:
to remove rock damaged
spots and burrs before
using the file.
(Spare part **5140**)



STEP 2 FILE:
to sharp and set up
the side edge angle.
(Spare part **5105**)

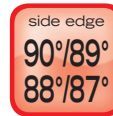




4003

EASY SHARP DIAMOND

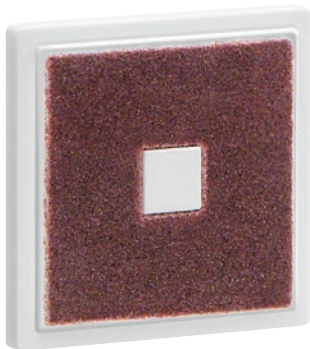
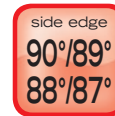
- Ergonomic side edge sharpener
- Pocket size, «on the slope» use also
- Easy handling, steady grip, maximum accuracy
- Best results, minimum effort
- Right and left hand use
- For ski and snowboard
- Best if use with water or a polishing solution
- Spare diamond **5160**



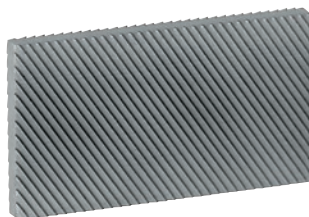
4004

EASY SHARP KIT

- Ergonomic side edge sharpener
- Pocket size, «on the slope» use also
- Easy handling, steady grip, maximum accuracy
- Best results, minimum effort
- Right and left hand use
- For ski and snowboard



STEP 1 | **ZIRCONIUM:**
to remove rock damaged spots and burrs before using the file.
(Spare part **5140**)



STEP 2 | **FILE:**
to sharp and set up the side edge angle.
(Spare part **5105**)



STEP 3 | **DIAMOND:**
to polish and super finish the ski and snowboard edges.
Best if used with water or with a polishing solution.
(Spare part **5160**)

5006

RACING SHARP

- Ergonomic side edge sharpener
- Easy handling, steady grip, maximum accuracy
- Best results, minimum effort
- Right and left hand use
- For ski and snowboard
- Spare file 80 mm **5104**

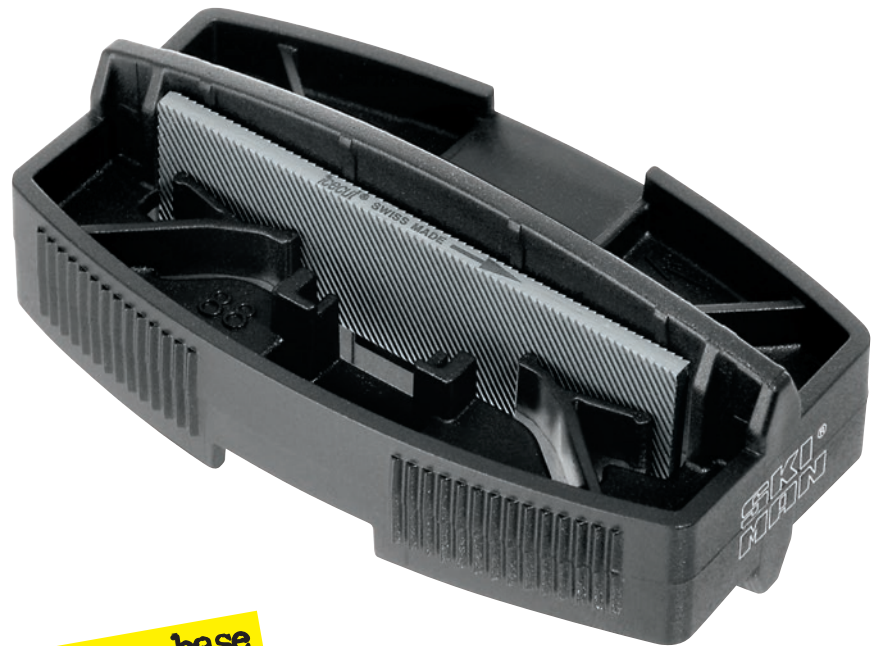
comes with
High Quality
icecut[®]
SWISS MADE
80 mm file

side edge
89°/88°
87°/86°

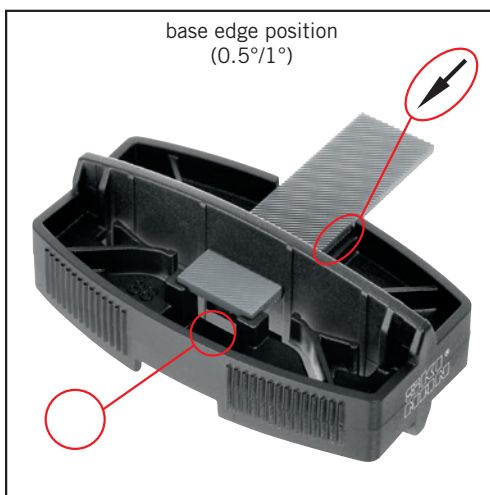
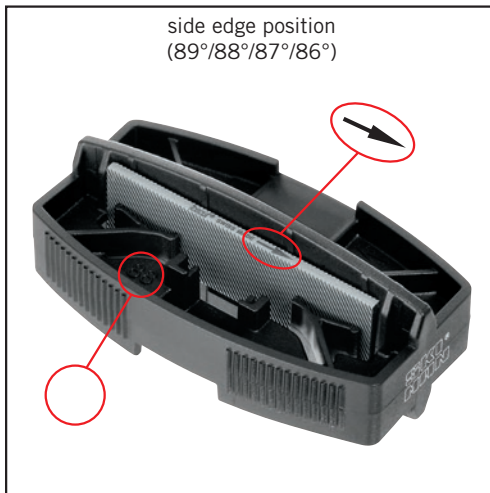
base edge
0.5°/1°

SPORT
ACTIVE

RACING
TEAM



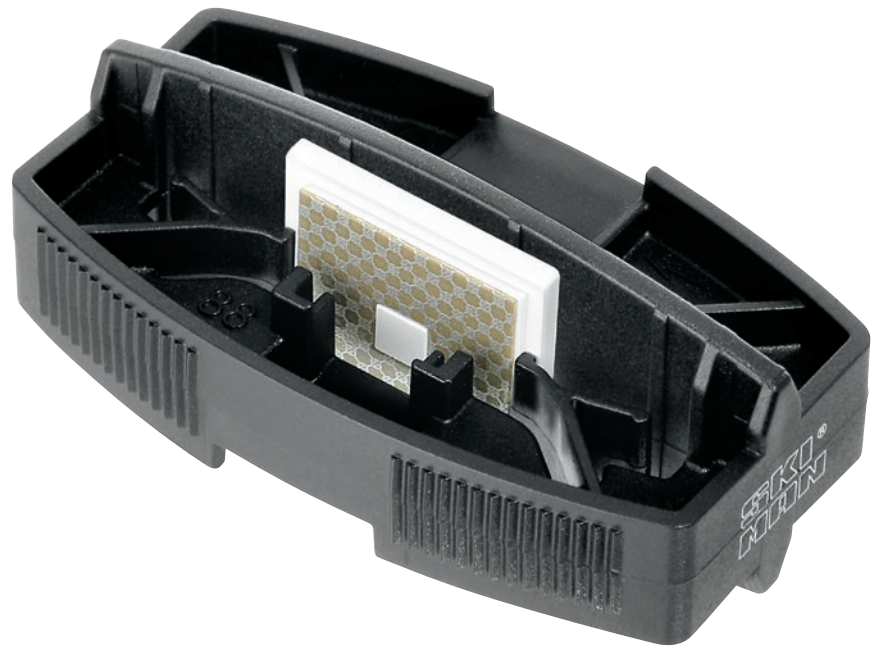
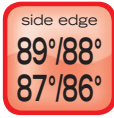
**side + base
tuning**



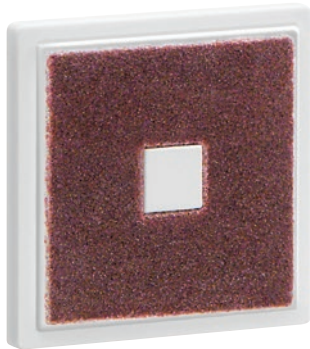
5007

RACING SHARP KIT

- Ergonomic side edge sharpener
- Easy handling, steady grip, maximum accuracy
- Best results, minimum effort
- Right and left hand use
- For ski and snowboard



side + base tuning

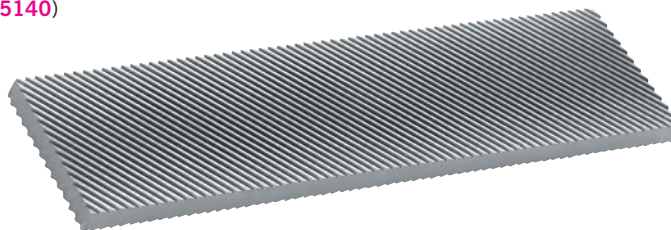


STEP 1 ZIRCONIUM:
to remove rock damaged spots and burrs before using the file.
(Spare part **5140**)

STEP 2 FILE:
to sharp and set up the side edge angle.
(Spare part **5104**)



STEP 3 DIAMOND:
to polish and super finish the ski and snowboard edges.
Best if used with water or with a polishing solution.
(Spare part **5160**)



5002

ERGO SHARP

- Ergonomic side edge sharpener
- Easy handling, steady grip, maximum accuracy
- Best results, minimum effort
- Fits any files, stones or diamonds up to 6 mm thick
- Right and left hand use
- For ski and snowboard
- Spare file 80 mm **5104**

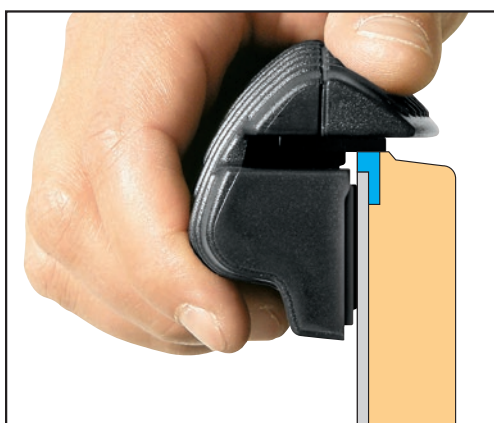


comes with High Quality **ICECUT** SWISS MADE 80 mm file

side edge **90°... 85°**

SPORT ACTIVE

RACING TEAM



5001

PRO SHARP

- Professional side edge sharpener
- Easy handling, steady grip, maximum accuracy
- Best results, minimum effort
- Fits any files, stones or diamonds up to 6 mm thick
- Ball bearing system to protect the base
- Right and left hand use
- For ski and snowboard
- Spare file 80 mm **5104**



comes with High Quality **icecut** SWISS MADE 80 mm file

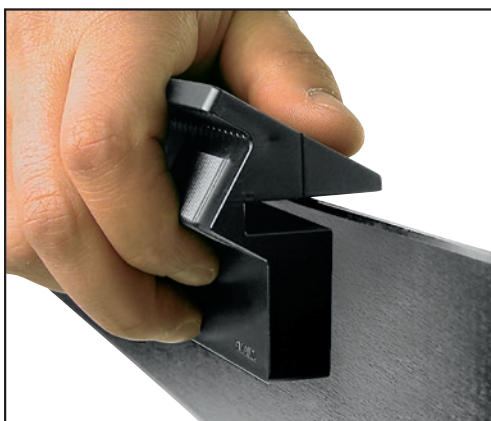
side edge **90°... 85°**

RACING TEAM

WORLD CUP



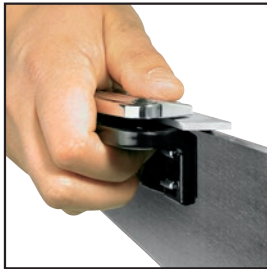
BALL BEARINGS SYSTEM





RACING GUIDE

3030	90°
3031	89°
3032	88°
3033	87°
3034	86°



- Side edge file guide with ergonomic clamp included
- Designed to eject metal filings
- Fits any files, stones or diamonds
- For ski and snowboard



BALL BEARINGS SYSTEM



RACING GUIDE PLUS

3040	90°
3041	89°
3042	88°
3043	87°
3044	86°



- Side edge file guide with clamp included
- Designed to eject metal filings
- Fits any files, stones or diamonds
- For ski and snowboard



- Designed to eject metal filings
- Fits any files, stones or diamonds
- For ski and snowboard
- Use with **3090** PRO CLAMP or **3091** RACING CLAMP

SIDE EDGE FILE GUIDE ALUMINIUM

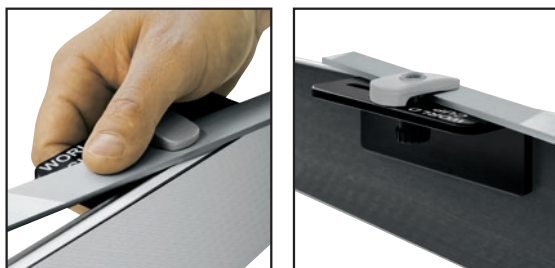
3060	90°
3061	89°
3062	88°
3063	87°
3064	86°
3065	85°



new

SIDE EDGE FILE GUIDE STAINLESS STEEL

3081N	89°
3082N	88°
3083N	87°
3084N	86°
3085N	85°



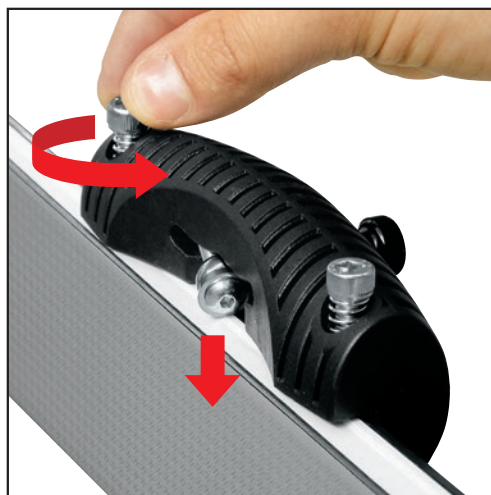
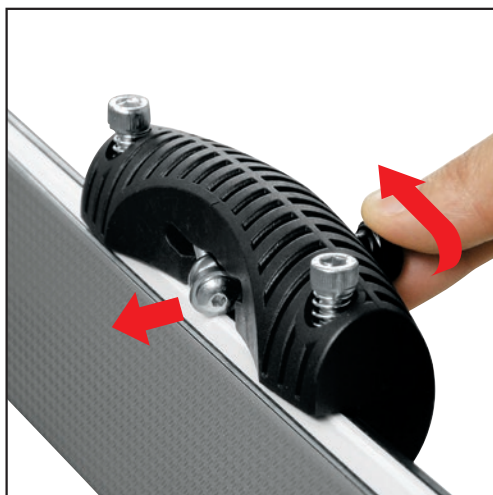
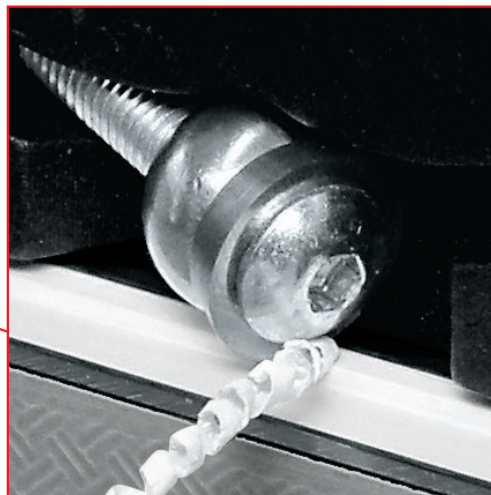
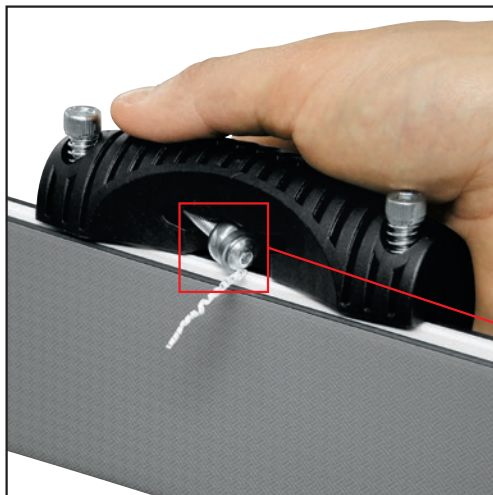
- Side edge file guide with clamp included
- Designed to eject metal filings
- Fits any files, stones or diamonds
- For ski and snowboard



3004

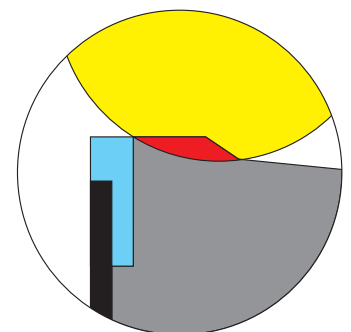
SIDEWALL SHARP

- Ergonomic sidewall planer
- Easy handling, steady grip, maximum accuracy
- Best results, minimum effort
- Adjustable blade position and cutting depth
- Right and left hand use
- For ski and snowboard



technical info

The use of the sidewall planer is essential to remove excess of material which may compromise the file cutting and make it difficult to obtain the right angle. It is necessary to use this tool before filing, so that the file can make a precise work on the edges.



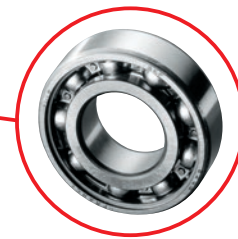
- sidewall: remove before filing
- titanium blade
- steel edge
- base
- ski or snowboard body



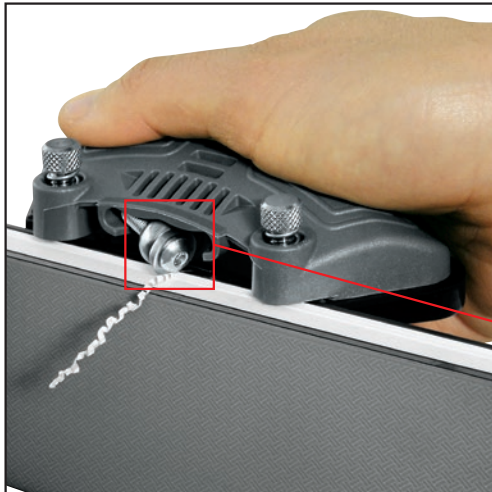
5005

SIDEWALL PRO SHARP

- Professional sidewall planer
- Easy handling, steady grip, maximum accuracy
- Best results, minimum effort
- Adjustable blade position and cutting depth
- Ball bearing system to protect the base
- Right and left hand use
- For ski and snowboard



BALL BEARINGS SYSTEM



spare parts

SPARE BLADE
STANDARD
5120



SPARE BLADE
RADIUS 3 mm
5125



SPARE BLADE
ROUND
5130





BASE SHARP

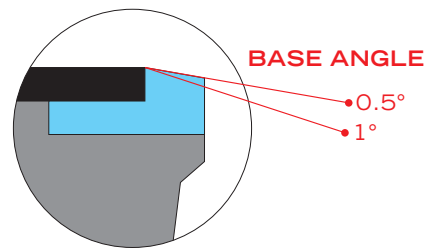
3051 0.5°

3052 1°

- Base edge sharpener
- Easy handling, steady grip, maximum accuracy
- Best results, minimum effort
- Fits any files, stones or diamonds up to 6 mm thick
- For ski and snowboard

RACING TEAM

WORLD CUP





3071

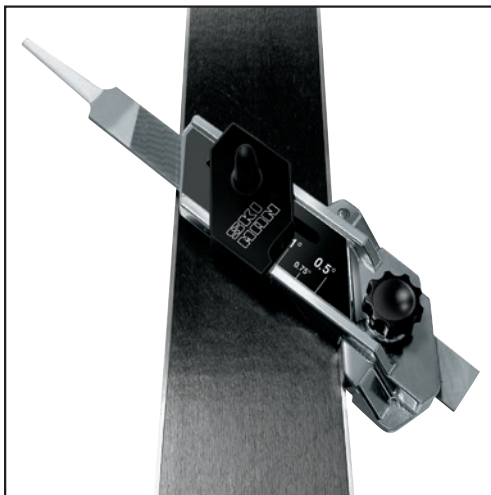
ADJUSTABLE BASE SHARP

- Professional base edge sharpener
- Easy handling, steady grip, maximum accuracy
- Best results, minimum effort
- Fits any files, stones or diamonds up to 6 mm thick
- For ski and snowboard

base edge
**0.5°...
1.5°**

**RACING
TEAM**

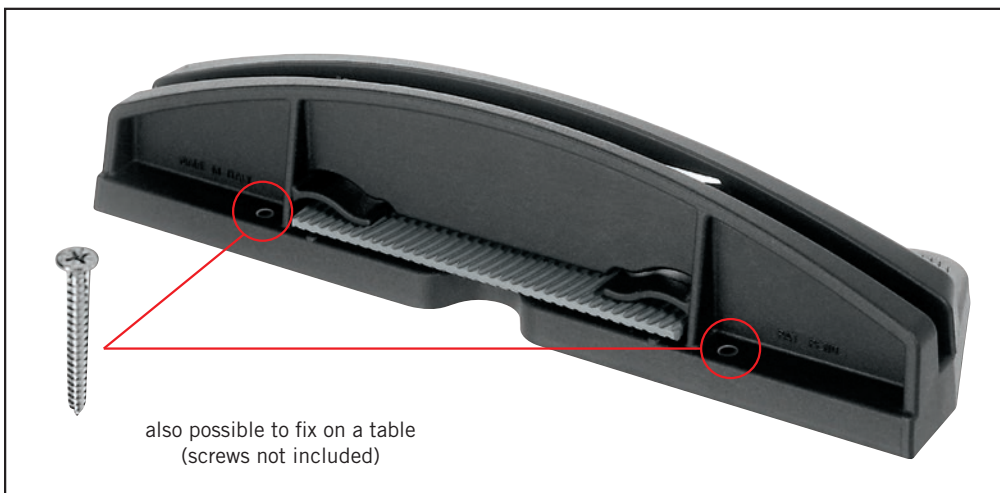
**WORLD
CUP**



630

PLEXI SHARP

- Wax scraper sharpener
- Used for 3, 4, 5 mm plexi wax scraper thick
- 100 mm body file included
- Spare 100 mm body file **5101**





**SPORT
ACTIVE**

DIAMOND FILE 70 mm

70C COARSE
70M MEDIUM
70F FINE

- Plastic support
- Good quality and duration diamond
- Best if use with water or polishing solution
- Compatible with all sharpening tool
- Best if clean with spirit after use



**SPORT
ACTIVE**

DIAMOND FILE 100 mm

100C COARSE
100M MEDIUM
100F FINE

- Plastic support
- Good quality and duration diamond
- Best if use with water or polishing solution
- Compatible with all sharpening tool
- Best if clean with spirit after use



DIAMOND FILE 70 mm

70100R	100
70200R	200
70400R	400
70600R	600
71000R	1000

- Plastic support
- High quality and duration diamond
- Best if use with water or polishing solution
- Compatible with all sharpening tool
- Best if clean with spirit after use



DIAMOND FILE 100 mm

10100R	100
10200R	200
10400R	400
10600R	600
11000R	1000

- Plastic support
- High quality and duration diamond
- Best if use with water or polishing solution
- Compatible with all sharpening tool
- Best if clean with spirit after use

new



**DIAMOND FILE
70 mm**

70100W	100
70200W	200
70400W	400
70600W	600
71000W	1000

- Aluminium support
- High quality and duration diamond
- Best if use with water or polishing solution
- Compatible with all sharpening tool
- Best if clean with spirit after use

new



**DIAMOND FILE
100 mm**

10100W	100
10200W	200
10400W	400
10600W	600
11000W	1000

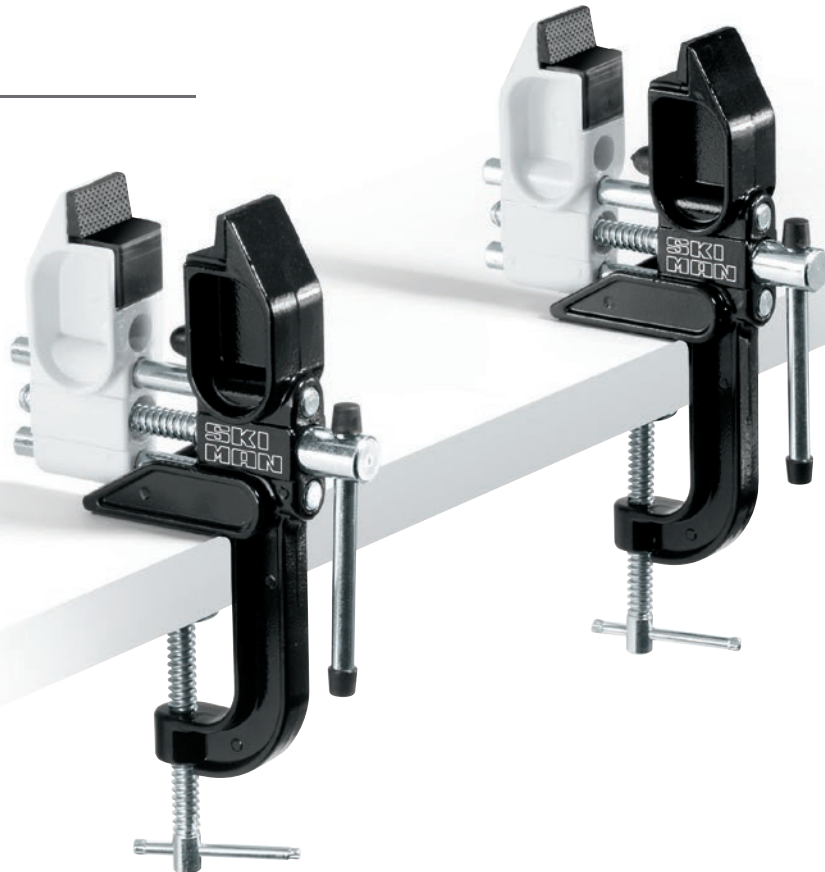
- Aluminium support
- High quality and duration diamond
- Best if use with water or polishing solution
- Compatible with all sharpening tool
- Best if clean with spirit after use

680

SKI VISE HOLDING

- Jaw width 30 mm
- Jaws opening: up to 80 mm
- High-tensile aluminium body

SPORT
ACTIVE



994

SKI VISE "XXL"

- Jaw width 70 mm
- Jaws opening: up to 155 mm
- High-tensile aluminium body

RACING
TEAM

WORLD
CUP



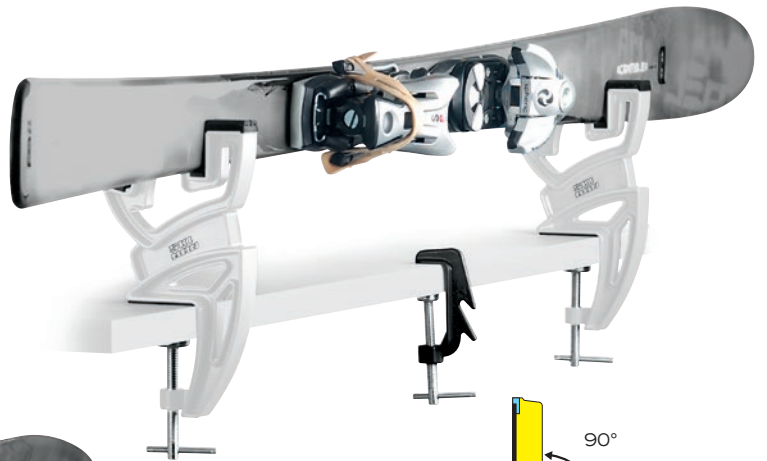
650

SKI VISE 24 HOURS

- High-tensile aluminium body
- Light and easy to transport
- For tuning all types and shapes of skis
- Special rubber to grip the ski during side and base work
- Included 2 brake retainers

SPORT ACTIVE

1 special ski bindings retainer included



90°
standard work position



60°
easy work position



Works for:

- Racing Carving skis
- Freeride Freestyle skis
- Back country Alpine touring skis

ideal for travelling



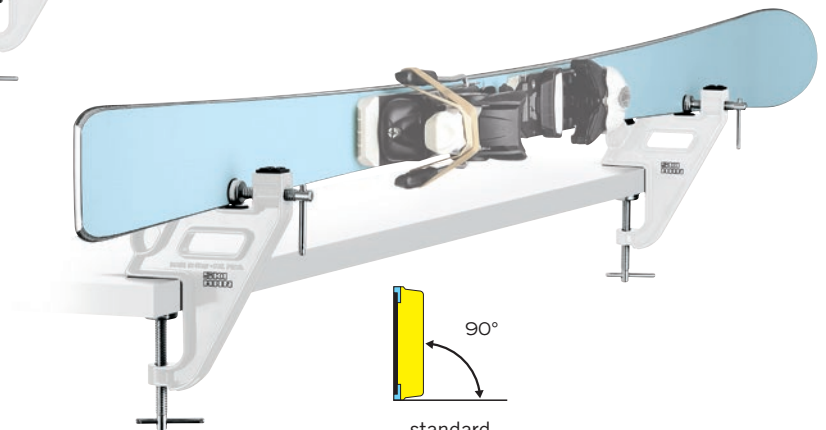
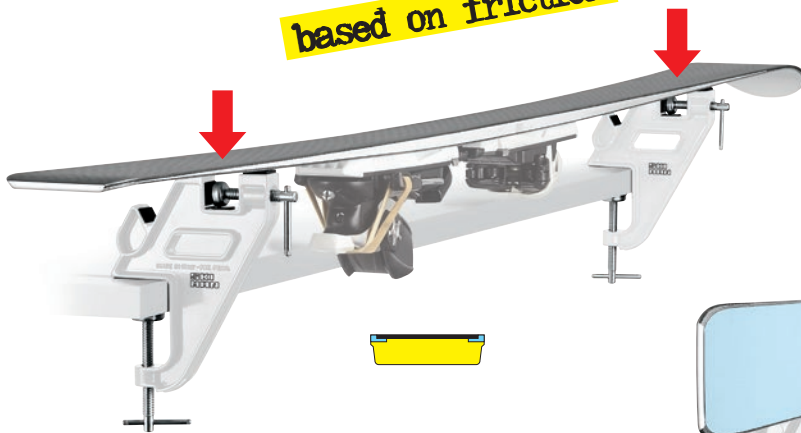
690

SKI VISE QUICK

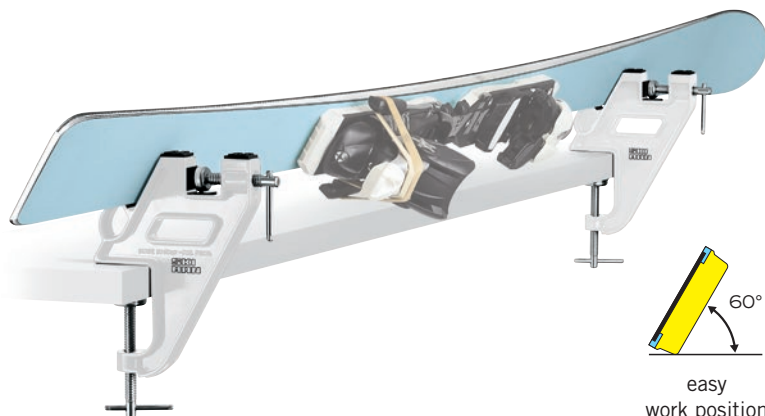
- High-tensile aluminium body
- Light and easy to transport
- For tuning all types and shapes of skis
- Special rubber to grip the ski during base work
- Included 2 brake retainers

SPORT ACTIVE

based on friction



90°
standard work position



60°
easy work position

Works for:

- Racing Carving skis
- Freeride Freestyle skis
- Back country Alpine touring skis



691

SKI VISE COMP

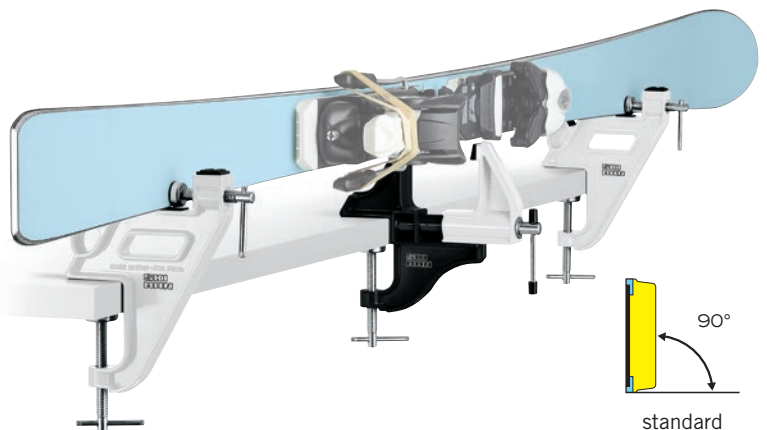
- Jaw width 30 mm
- Jaws opening: up to 90 mm
- High-tensile aluminium body
- Light and easy to transport
- For tuning all types and shapes of skis
- Included 2 brake retainers

SPORT ACTIVE

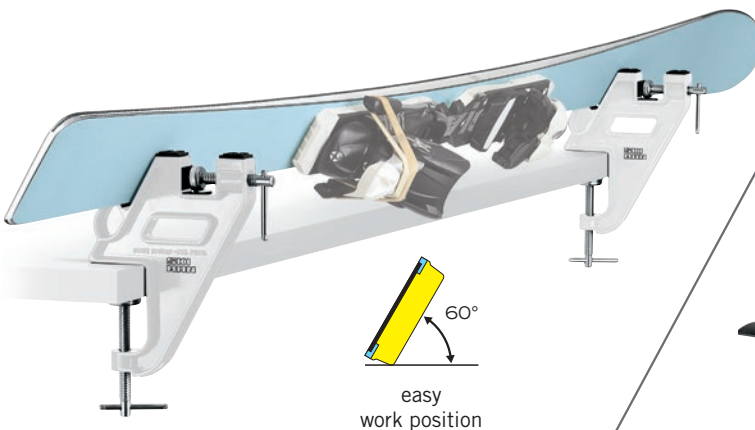
RACING TEAM



DESIGNED TO CLAMP ALSO IN THE PLATE OR BINDING



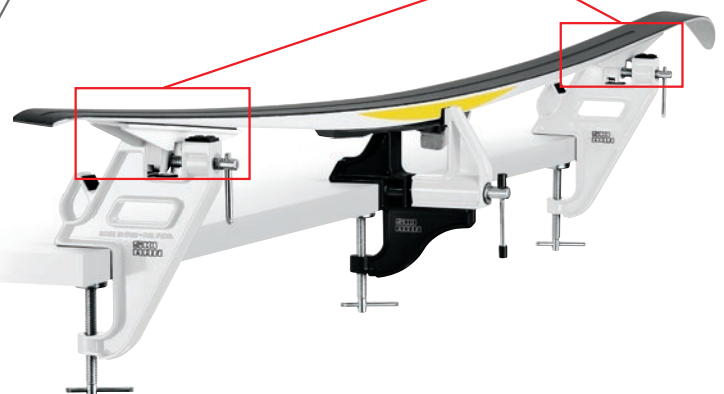
90°
standard work position

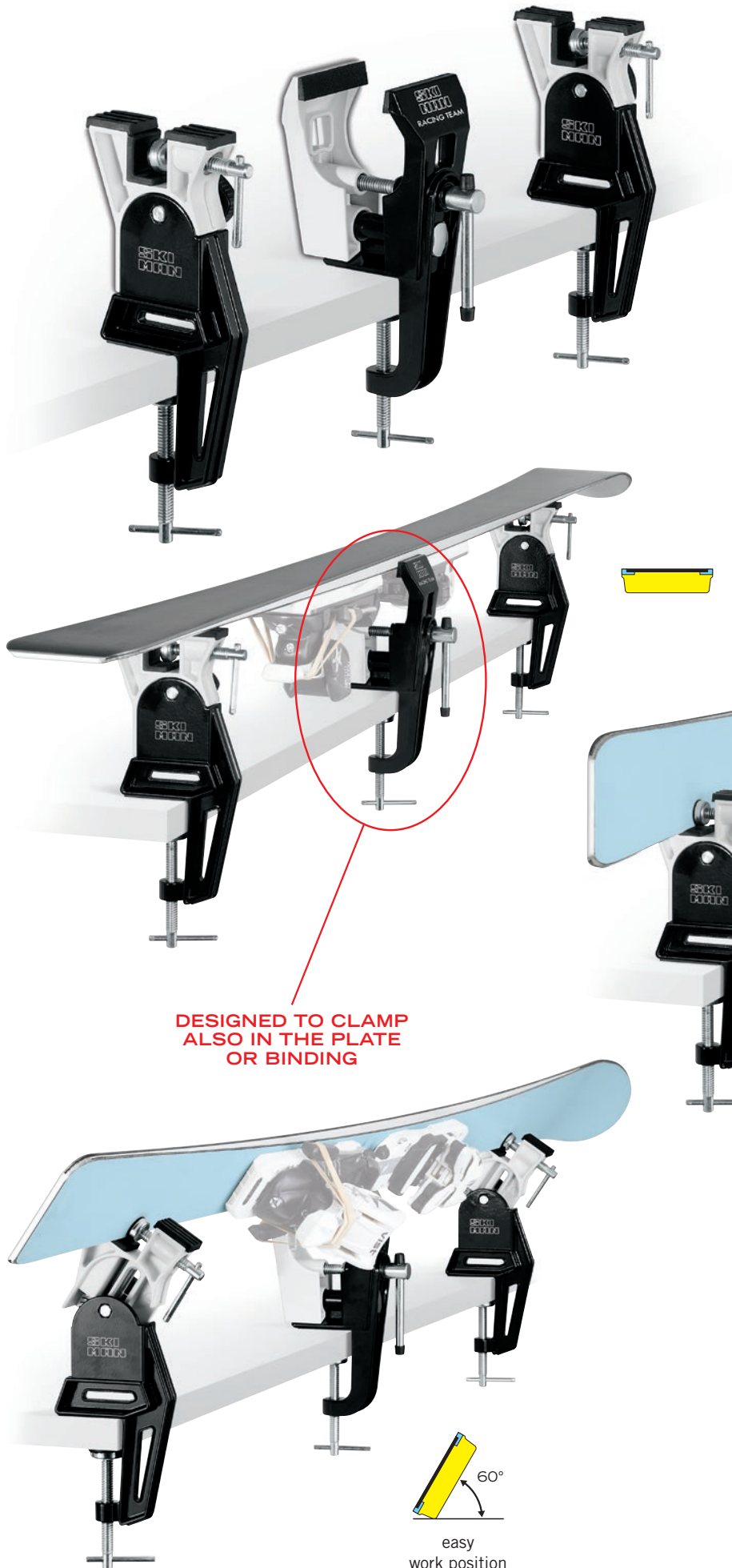


60°
easy work position



Also used with 635 (not included) for cross-country ski tuning



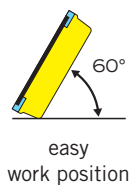
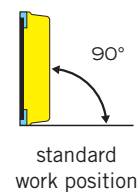


DESIGNED TO CLAMP
ALSO IN THE PLATE
OR BINDING

1070N

SKI VISE RACING

- Vice jaws width: 70 mm
- Jaws opening: up to 100 mm
- Rubber lined vice jaws
- Special rubber with small suction cups on the top grip of the supports
- Adjustable guide blocks
- For skis with all kinds of riser plates
- High tensile aluminum body
- Also use horizontally for mounting bindings
- Included 2 brake retainers





635

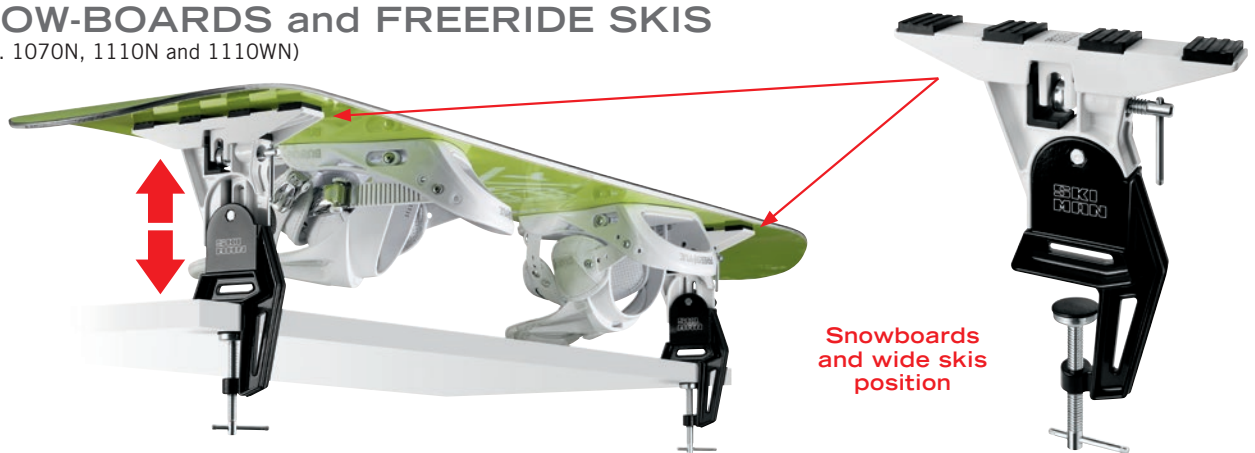
BRAVO SUPPORT

- Universal adapter for Art. 1070N, 1110N, 1110WN and 691, so they will be "all in one" vises
- Works with all types of snowboards, wide skis and cross-country skis
- Special rubber to grip the snowboard and wide skis during the base tuning



for SNOW-BOARDS and FREERIDE SKIS

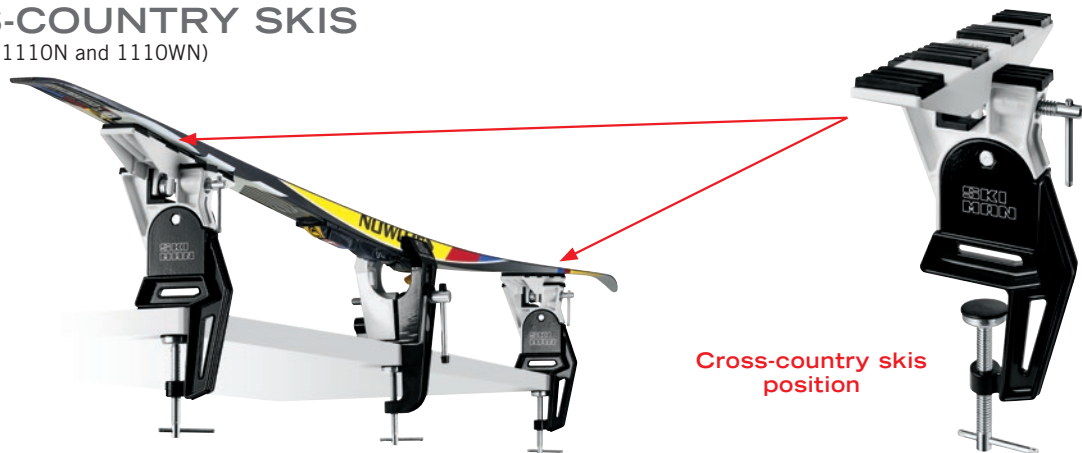
(Used with Art. 1070N, 1110N and 1110WN)



Snowboards and wide skis position

for CROSS-COUNTRY SKIS

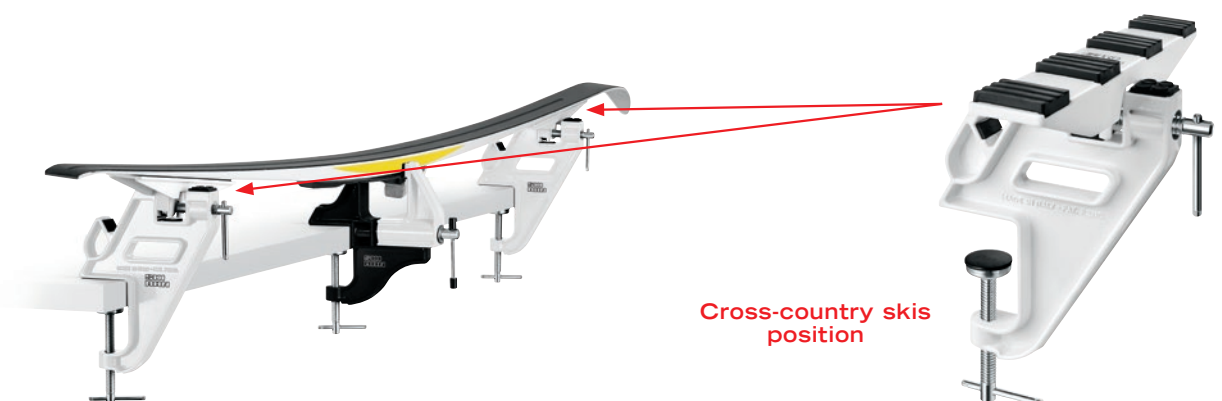
(Used with Art. 1070N, 1110N and 1110WN)



Cross-country skis position

for CROSS-COUNTRY SKIS

(Used with Art. 691)

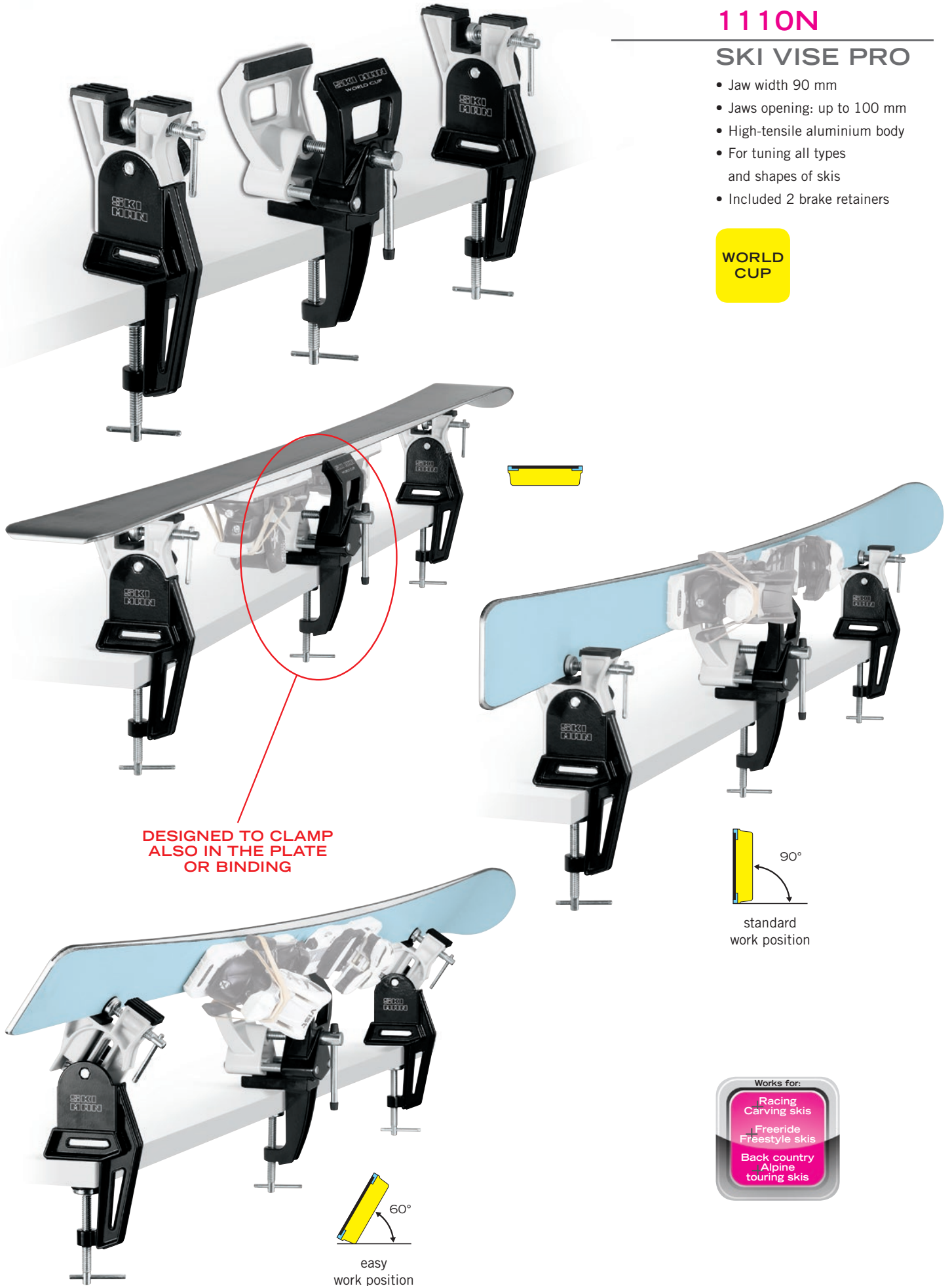


Cross-country skis position

1110N

SKI VISE PRO

- Jaw width 90 mm
- Jaws opening: up to 100 mm
- High-tensile aluminium body
- For tuning all types and shapes of skis
- Included 2 brake retainers



DESIGNED TO CLAMP
ALSO IN THE PLATE
OR BINDING

90°
standard
work position

60°
easy
work position

Works for:
Racing
Carving skis
Freeride
Freestyle skis
Back country
Alpine
touring skis

1110WN

SKI VISE PRO "WIDE OPENING"

- Jaw width 90 mm
- Jaws opening: up to 155 mm
- High-tensile aluminium body
- For tuning all types and shapes of skis
- Included 2 brake retainers

SPORT ACTIVE

RACING TEAM

WORLD CUP

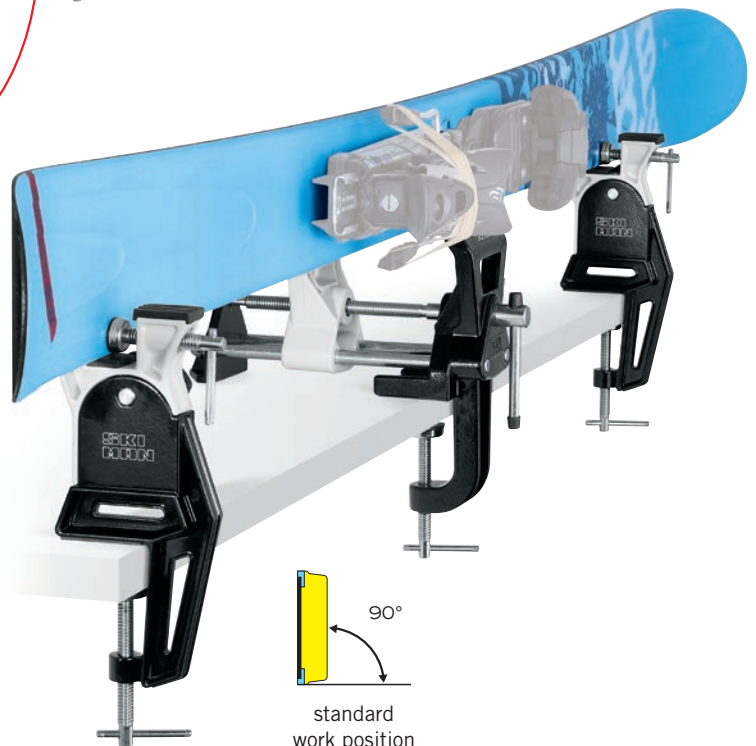


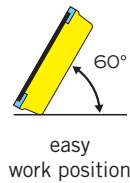
Works for:

- Racing Carving skis
- Freeride Freestyle skis
- Back country Alpine touring skis



DESIGNED TO CLAMP ALSO IN THE PLATE OR BINDING





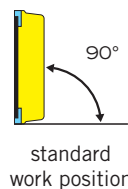
new



1003N

BOARD-FREERIDE VISE

- High-impact plastic body
- For tuning all types of snowboards and wide skis
- Special rubber to grip the snowboards and wide skis during side and base tuning
- Two side edge positions: standard 90° and easy 60°
- Binding clearance: 160 mm



ideal for travelling

670

SKI VISE CROSS-COUNTRY

- High-tensile aluminium body
- Light and practical for travelling
- For tuning all types and shapes of nordic skis

SPORT ACTIVE

RACING TEAM

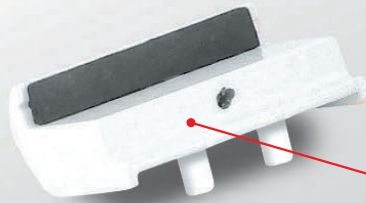
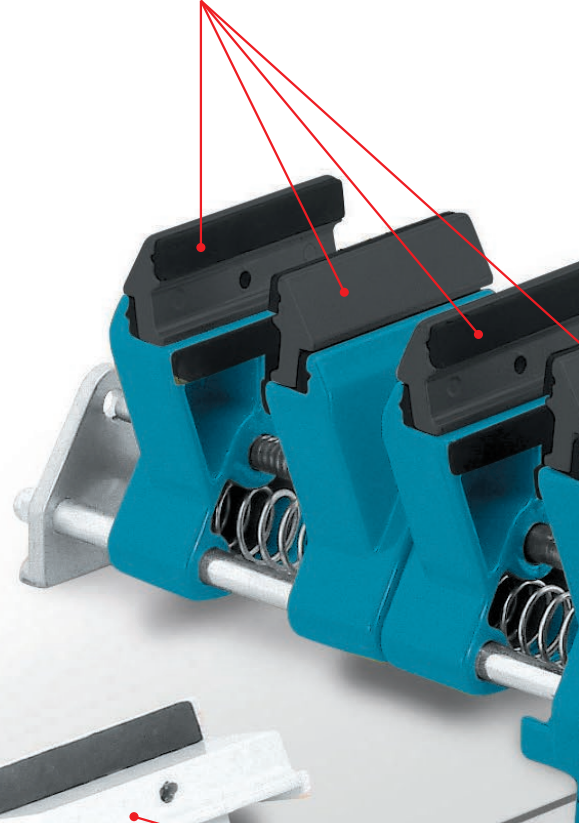
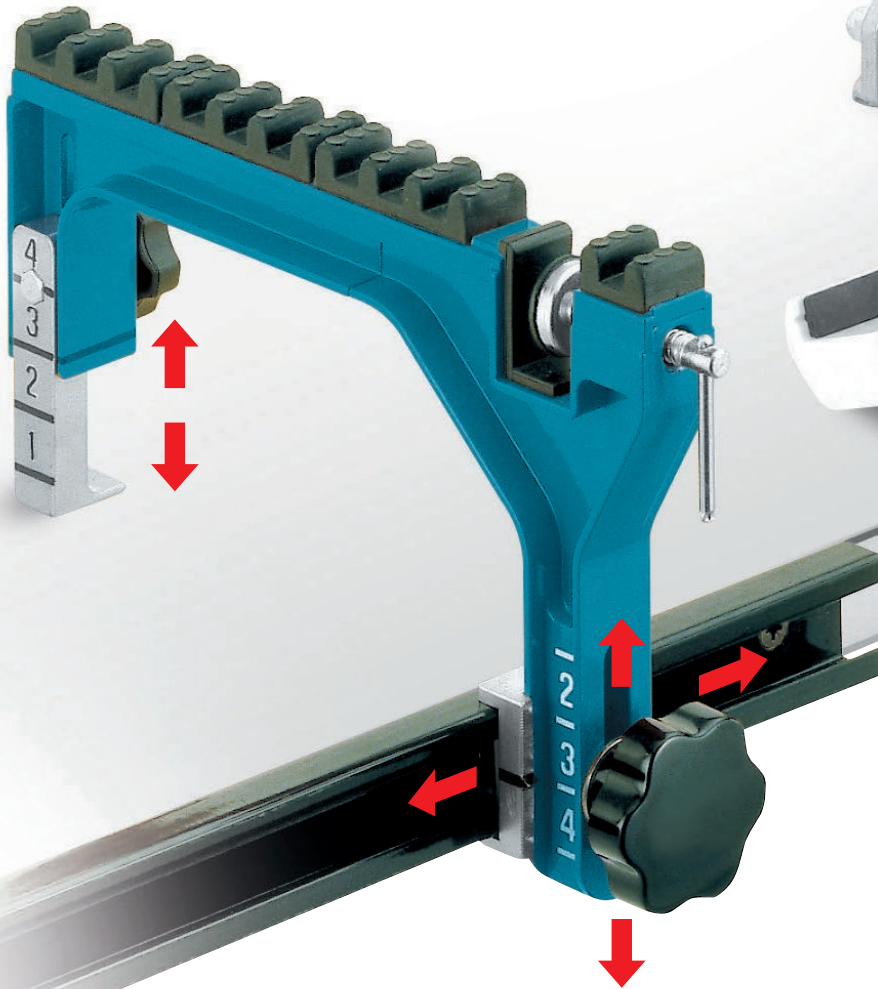
WORLD CUP



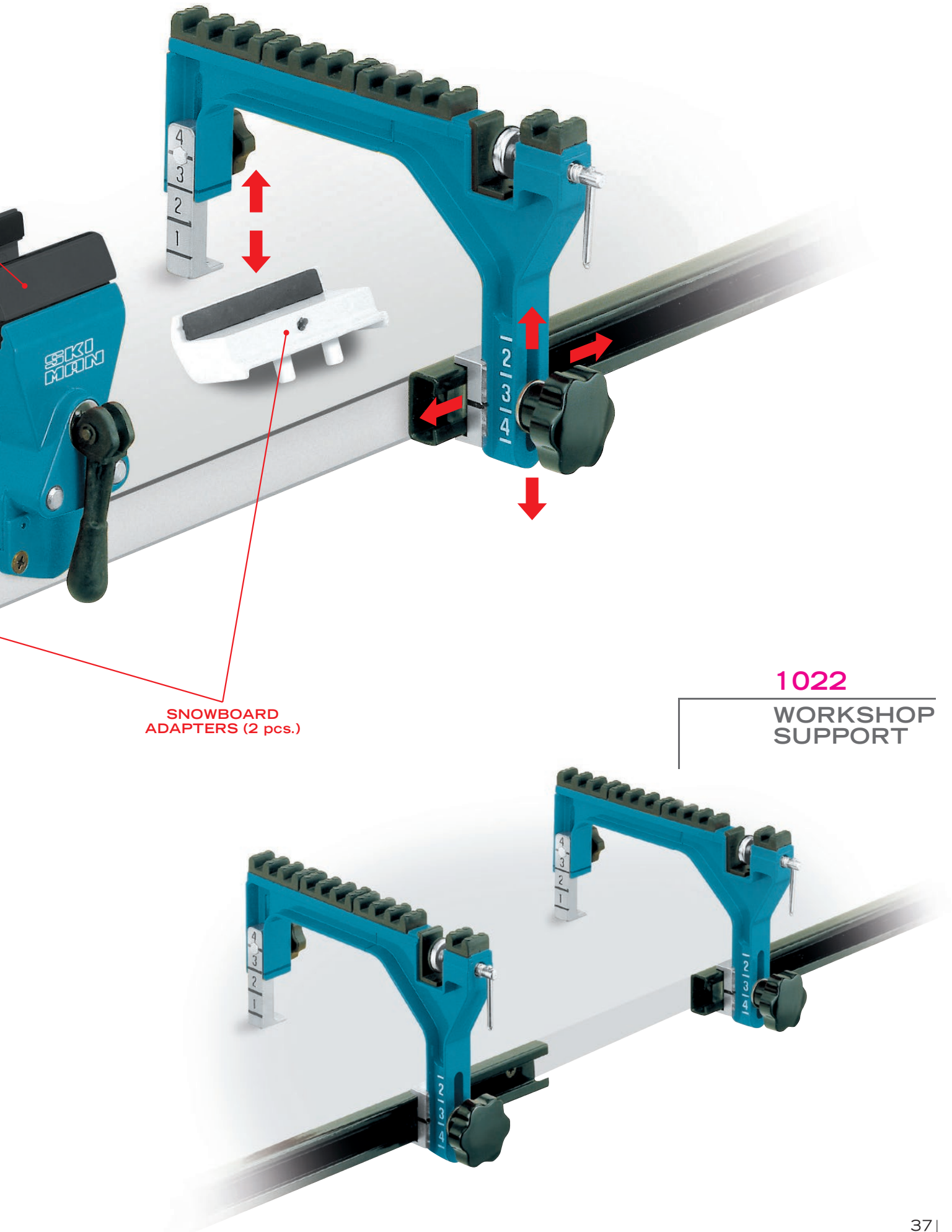
1021

DOUBLE
WORKSHOP VISE

ADAPTERS
FOR SKI BASE TUNING
(4 pcs.)



ADAPTER
FOR WIDE SKIS
(1 pc.)



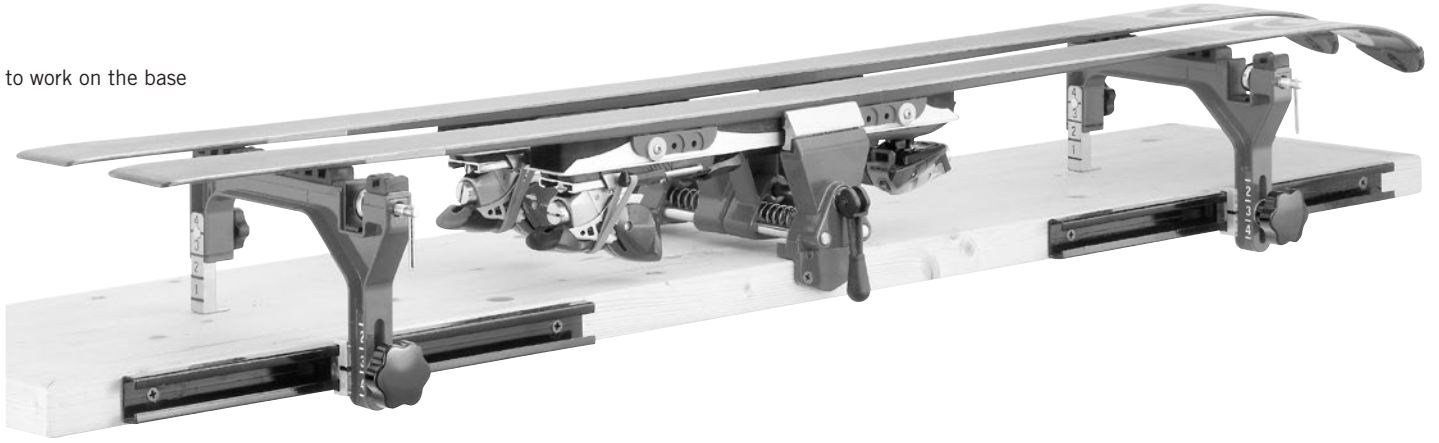
SNOWBOARD
ADAPTERS (2 pcs.)

1022

WORKSHOP
SUPPORT

FOR ALL KIND OF SKIS

to work on the base



to work on the bindings and plates

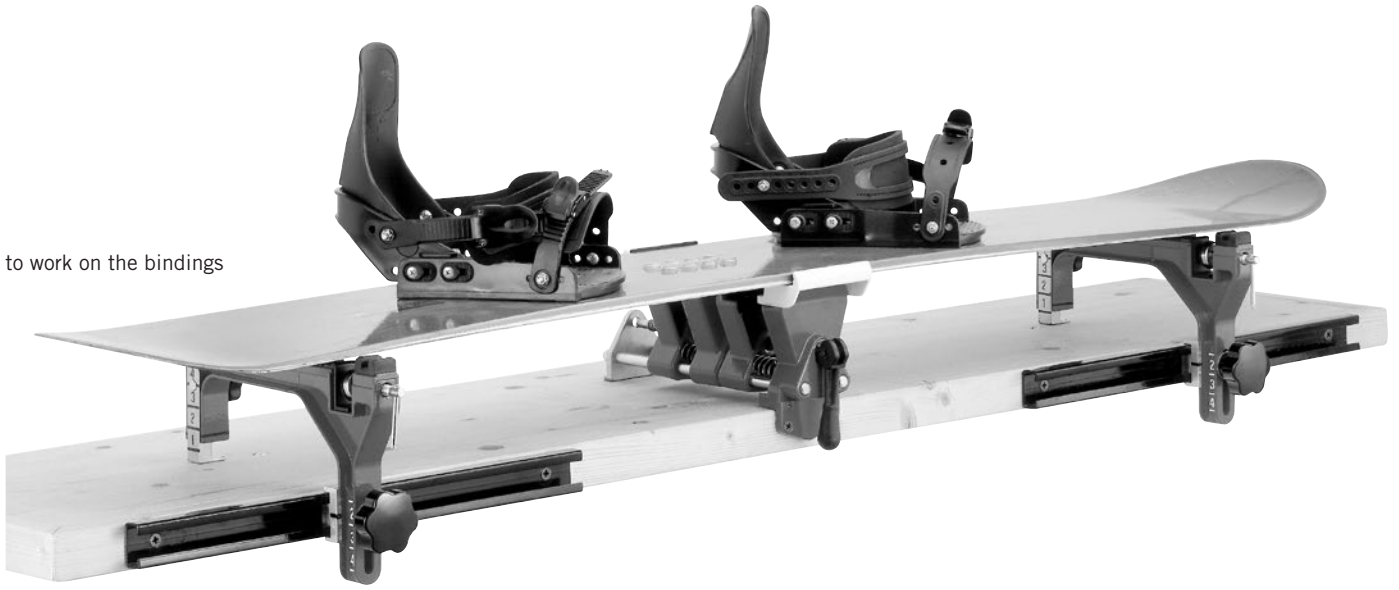


to work on the side edge

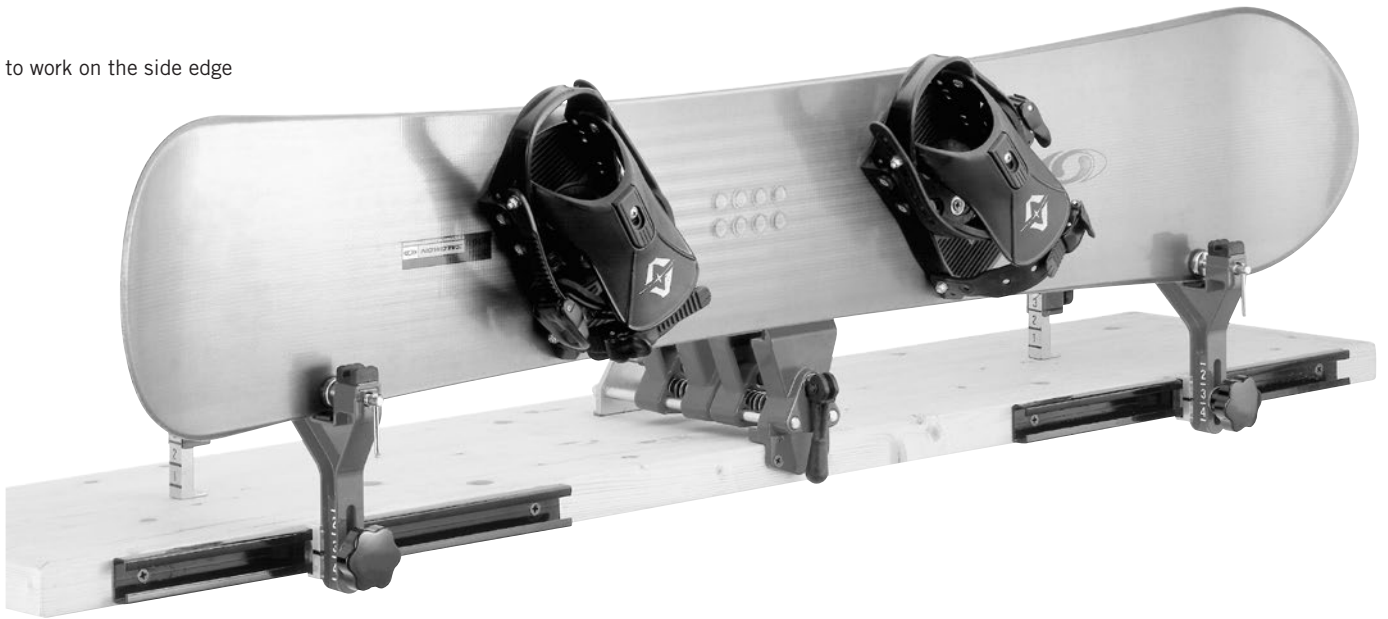


FOR ALL KIND OF SNOWBOARDS

to work on the bindings



to work on the side edge

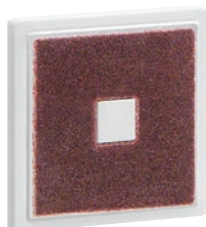


to work on the base



5140

SPARE ZIRCONIUM



5150

SPARE TRIZACT



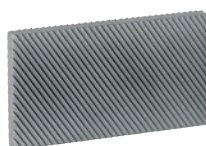
5160

SPARE DIAMOND



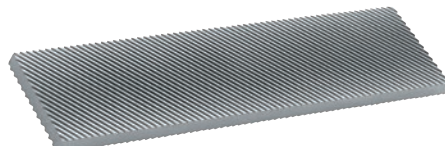
5105

SPARE FILE
40 mm



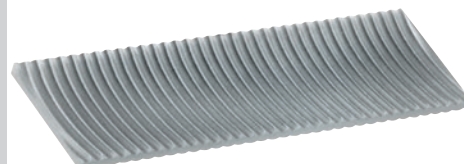
5104

SPARE FILE
80 mm



5101

SPARE PANZER FILE
100 mm



5120

SPARE BLADE
STANDARD



5125

SPARE BLADE
RADIUS 3 mm



5130

SPARE BLADE
ROUND



5170

DIAMOND COARSE



5180

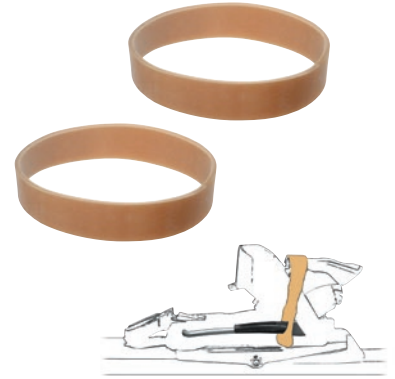
DIAMOND FINE



58100

**SKI BRAKE
RETAINER**

(200 pcs)



3091

RACING CLAMP



3090

PRO CLAMP



Made in Italy by
B&C srl

P.O. Box 50 - Via dei Faggi, 23
28887 Omegna (VB) - Italy
e-mail: info@skiman.it
www.skiman.it